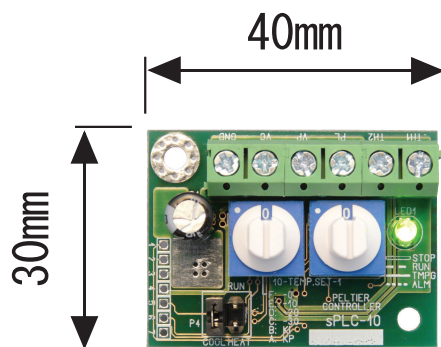


# TEC(Peltier) Controller sPLC-10

Small fits all!



*This is actual size !*

## Feature

### ✓ **Small**

- \* Ultra-small TEC Controller 40mm(W)x30mm(D)x18.5mm(H)
- \* High power (24V/8A) output and low power consumption

### ✓ **Simple**

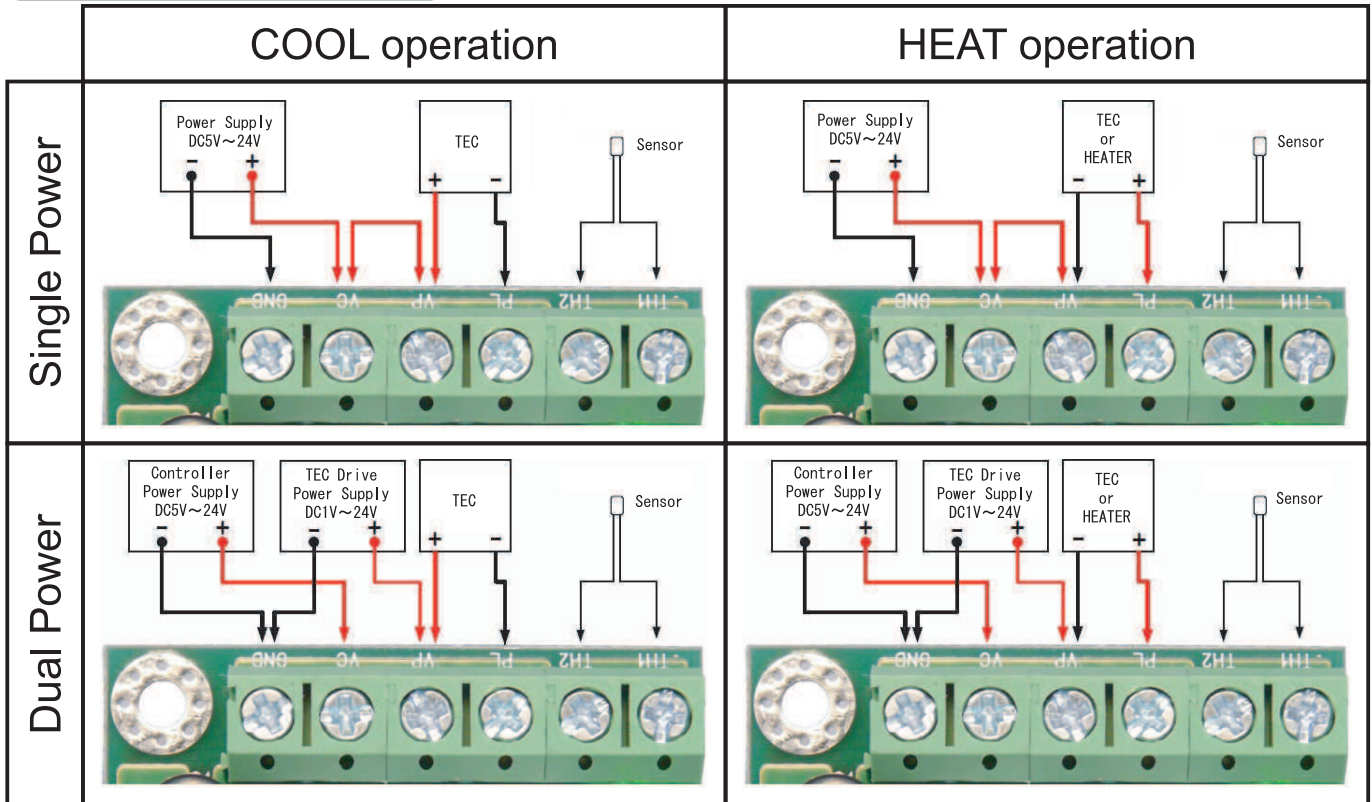
- \* Monopolar drive (Cool/Heat selectable)
- \* Easy 2-steps operation (Set temperature and Run!)
- \* Simple one LED status indicator

### ✓ **Stable**

- \* Digital PI (Proportional-Integral) control system



**Total  
Solution  
Laboratory**

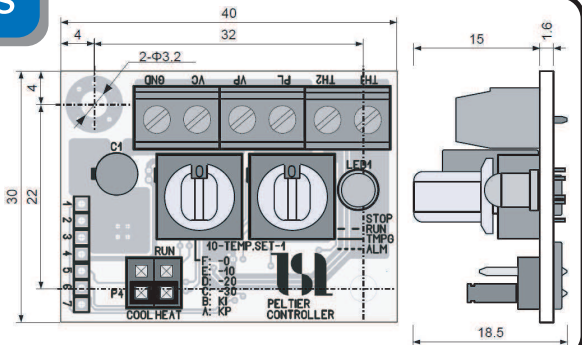


## Applications

- \* Industrial
- \* Laboratory
- \* Breeding (Fish, Bird, Plant...)
- \* Medical
- \* Hobby
- \* Education
- \* Any other thermal control

## Dimensions

- \* Width : 40mm
- \* Depth : 30mm
- \* Height : 18.5mm
- \* Weight : 15g



## Specifications

- \* Power supply: DC5V-24V, DC1V-24V(dual power supply for TEC drive)
- \* Power consumption: Less than 100mA (exclude TEC drive output)
- \* TEC drive voltage: 5V-24V(single power supply), 1V-24V(dual power supply)
- \* TEC drive current: 8A Max
- \* TEC drive system: Monopolar PWM drive (Cool/Heat selectable)
- \* TEC control system: Digital PI control
- \* Temperature sensor: NTC Thermistor (R25=10kohm, B=3435)
- \* Temperature settings: Rotary DIP switches
- \* Temperature setting range: -39degC ~ +99degC
- \* Temperature setting resolution: 1degC
- \* Indicator: LED
- \* Operation temperature / humidity: 10degC~ 40degC / 5%RH~85%RH

\* Product specifications or Board layout may change for improvement

Manufacturer:  
T.S.Laboratory Corporation  
Tokyo, Japan  
TEL : 81-42-548-3755  
URL : <http://tslab.com>

Contact Us---